

# DLH-103R

## 12V Low Voltage, Max. 50W MR-16

### 3.5" NON-IC Type Housing For Remodeling

Catalog #		Type
Project		Date
Prepared by		

HALOGEN

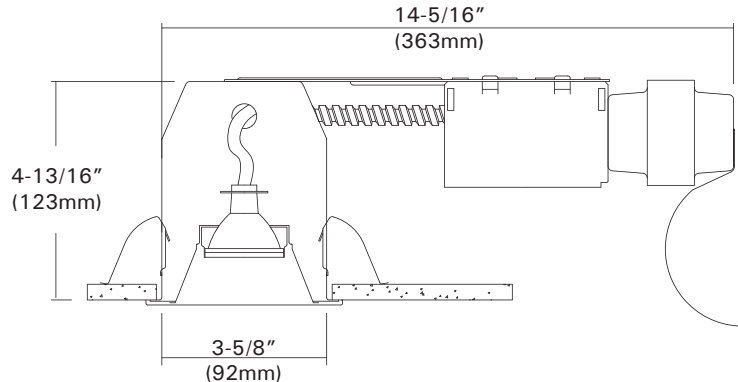


#### DESCRIPTION

The DLH-103R is a 3.5" aperture remodel housing for accent and task lighting.

#### APPLICATION

The DLH-103R is designed for use in both non-insulated and insulated existing ceilings. Insulation material must be kept a minimum of 3" from all sides of the housing and it can be installed from below.



#### DESIGN FEATURES

Ceiling Cut-out : 3-7/8"  
Lamp, Max, Watt. : 50W

##### ◦ Housing

- Galvanized steel housing painted white.
- 4-13/16" height allows use in 2"X6" joist construction.
- Housing adjusts for ceilings up to 1/2" thick.

##### ◦ Junction Box

- Listed for through branch circuit wiring. (Max. 8 No 12 AWG 90°C branch circuit conductors. (4 in, 4 out)
- (5) 1/2" knockouts with true pry-out slots and (4) knockouts with Romex cable clamp.
- Ground wire provided on J-box.

##### ◦ Socket

- Ceramic socket with aluminum heat shield for Bi Pin MR16 lamps.

##### ◦ Remodel Clips

- 3 remodel clips secure housing and accommodates 1/2" and 5/8" ceiling materials.

##### ◦ Lamp

- One 12V, 50W MR16 lamp. - See trim page for more details.

##### ◦ Transformer

- 120V magnetic transformer steps line voltage down to lamp operating voltage for lamps up to 50W.
- Available 277V-12V transformer.

##### ◦ Thermal Protector

- Self resetting thermal detector on J-box deactivates fixture if overheating occurs due to improper lamping or mis-applied insulation.

##### ◦ Thermal Protector

- Self-resetting thermal detector deactivates fixture if overheating occurs due to improper lamping or insulation.

##### \* Listing

- UL, c-UL listed for damp location.
- UL, c-UL listed for feed through.

##### • Optional "Quick Connect" Push-in wire connectors.

- Three "Quick Connectors"
- Pre-installed push-in wire connectors for fast and easy wiring.

# Trims

## 3.5" Halogen Trims For

DLH-103(R), ICH-103AT, DLH-1033(R), DLH-303(R), ICH-303AT

Catalog #		Type
Project		Date
Prepared by		

### HALOGEN

**TMH-316** Shower Frosted Flat Lens  
**TMH-317** 50W 12V MR16  
 Die-Cast Construction  
 O.D : 4-5/16"  
 TMH-316 is for GY6.35 Base (Bi-Pin)



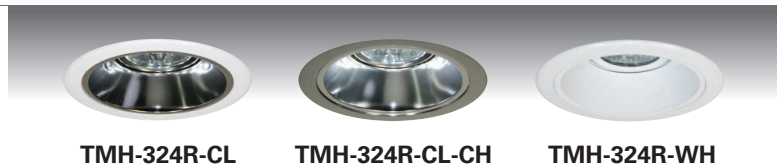
**TMH-318** Shower Convex Shape Lens  
 50W 12V MR16  
 Die-Cast Construction  
 O.D : 4-5/16"



**TMH-319** Tapered Glass Diffuser  
 50W 12V MR16  
 Die-Cast Construction  
 O.D : 4-5/16"



**TMH-324R** Adjustable Reflector  
 50W 12V MR16  
 Die-Cast Construction  
 O.D : 4-5/16"



**TMH-324B** Adjustable Baffle  
 50W 12V MR16  
 Die-Cast Construction  
 O.D : 4-5/16"



**TMH-335B** Pin Spot w/ Baffle  
 50W 12V MR16  
 Die-Cast Construction  
 O.D : 4-5/16"



**TMH-335R** Pin Spot w/ Reflector  
 50W 12V MR16  
 Die-Cast Construction  
 O.D : 4-5/16"



**TMH-329** Slotted Wall Wash  
 50W 12V MR16  
 Die-Cast Construction  
 O.D : 4-5/16"



# Trims

## 3.5" Halogen Trims For

DLH-103(R), ICH-103AT, DLH-1033(R), DLH-303(R), ICH-303AT

Catalog #		Type
Project		Date
Prepared by		

### HALOGEN

**TMH-347B** Adjustable Wall Wash w/ Baffle  
**50W 12V MR16**  
 Die-Cast Construction  
 O.D : 4-5/16"



TMH-347B-WH

TMH-347B-PB

TMH-347B-MO

**TMH-315** Dropped Clear Etched Lens  
**50W 12V MR16**  
 Die-Cast Construction  
 O.D : 4-5/16"



TMH-315-WH

TMH-315-BK

TMH-315-SN

**TMH-328** Gimbal w/ Baffle  
**50W 12V MR16**  
 Die-Cast Construction  
 O.D : 4-5/16"



TMH-328-WH

TMH-328-BK-SN

TMH-328-BK-MO

### ORDERING INFORMATION

Choose the catalog / finish codes that best suit your needs and enter it on the appropriate line.

TRIM MODEL	REFLECTOR	BAFFLE	METAL RING
	<b>CL</b> :Clear	<b>WH</b> :White	<b>WH</b> :White
	<b>WH</b> :White	<b>BK</b> :Black	<b>BK</b> :Black
	<b>GD</b> :Gold	<b>SN</b> :Satin Nickel	<b>SN</b> :Satin Nickel
	<b>MA</b> :Matte Platinum	<b>AN</b> :Antique Nickel	<b>AN</b> :Antique Nickel
	<b>CP</b> :Champagne	<b>AC</b> :Antique Copper	<b>AC</b> :Antique Copper
	<b>PR</b> :Pewter	<b>MO</b> :Mocha	<b>MO</b> :Mocha
	<b>HC</b> :Haze Clear	<b>CA</b> :Cappuccino	<b>CA</b> :Cappuccino
		<b>CH</b> :Chrome	<b>CH</b> :Chrome
		<b>UN</b> :Natural Steel	<b>UN</b> :Natural Steel
		<b>PB</b> :Polished Brass	<b>PB</b> :Polished Brass

Examples:

TMH-324B-BK-WH = White Metal Trim Ring w/ Black Baffle  
 TMH-347B-SN = Adjustable Satin Nickel Wall Wash